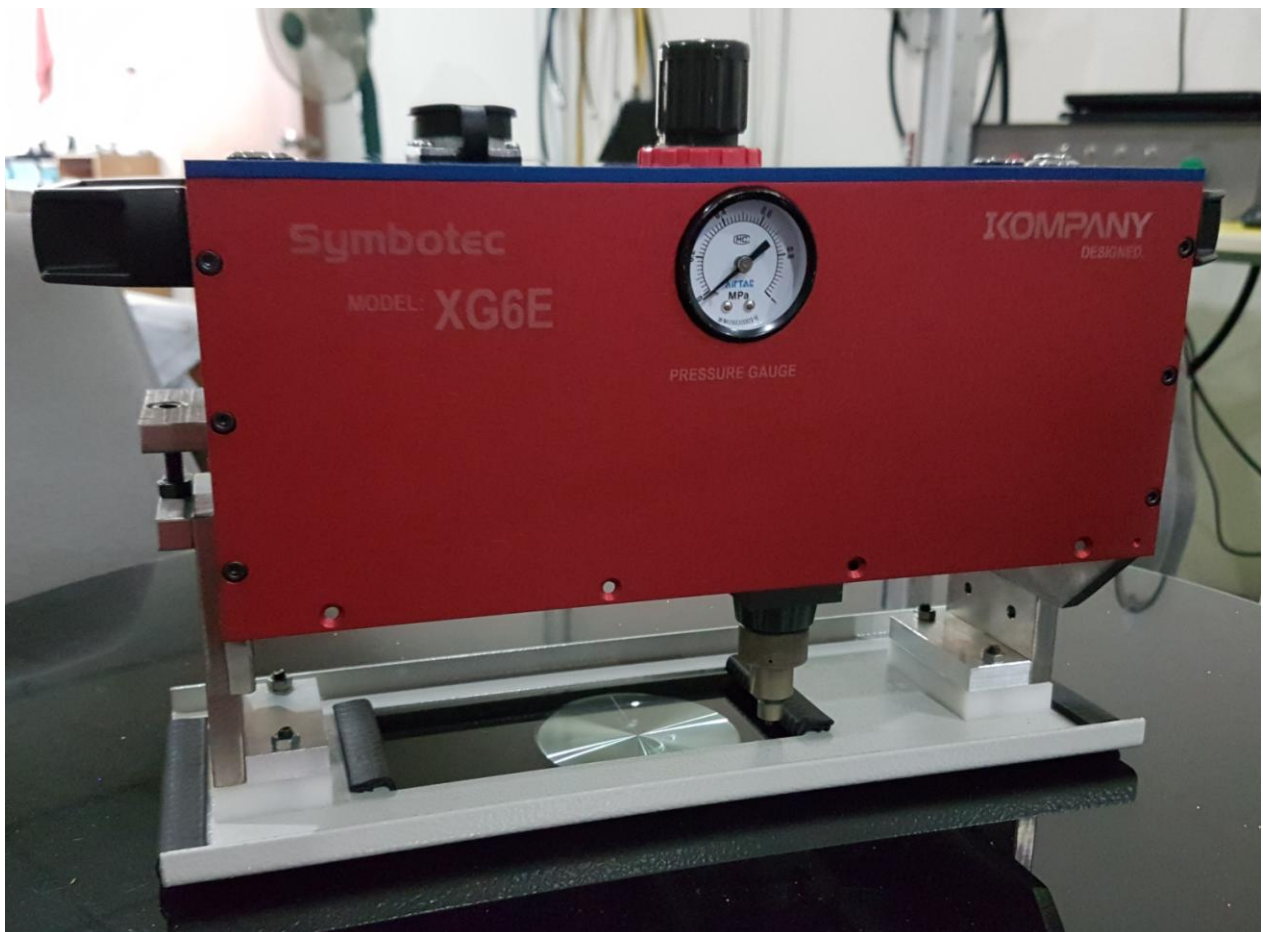


Reference: TSE1014/00

Subject: an introduction to XG6-E3 Portable marking machine

Thank you for your support and interest on our prestige tailor made marking machine. Hereby I would like to introduce our latest model of portable marking machine this year, the XG6-E3; the 3rd revision model of XG6 series in year 2017 that combine the good features of deep marking, low cost of maintenance and easy control.

1. The physical look of XG6-E3/17



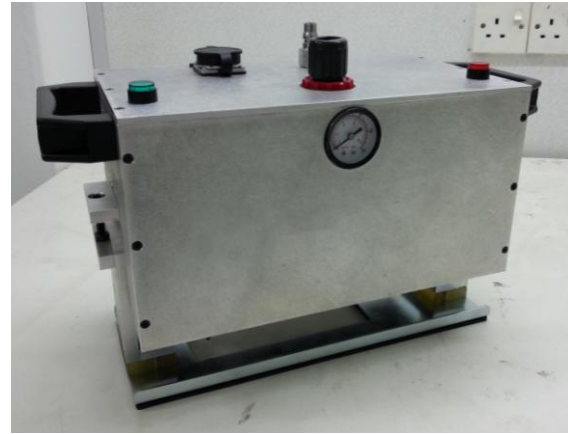
Model XG6-E3 Designed 2017/06, Flat Base Attachment

The XG6-E3 is fully reengineered and assembly in Malaysia, its remain the same tough structure of the previous version XG6-E2, the very obvious changes are the stainless steel push buttons, colorful anodized body look and LED lighting for easy visual inspection on marking. The main

cable also has consolidated with spring tension to reduce the tendency of broken wire due to improper bending angle.



Model XG6-E2/16, Flat Base

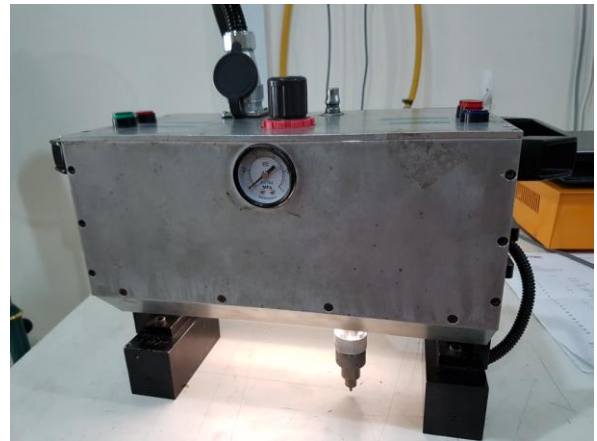


Model XH6-E/10, Flat Base

For XG6 series of machine, we maintain the structure frame, parts and consumable for ease of maintenance and spare parts controller. All models in XG6 series use the same type consumables, which we have T12 and T14 marking stylus in common, all these marking stylus compatible with XG6 series all models.

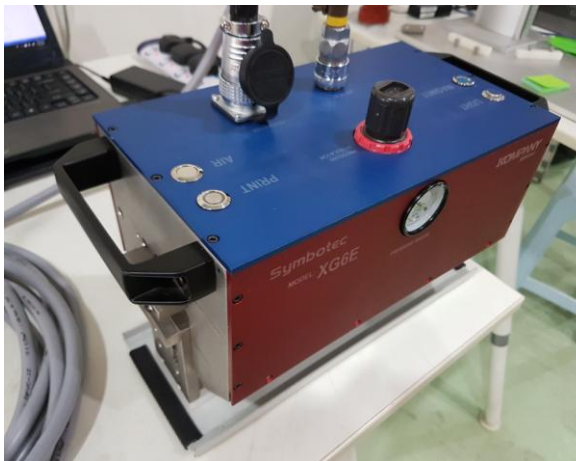
For mechanical and electrical parts in the marking head, we still use back the same type of motor, linear guide, belting, air controller unit, fitting and sensor. The major alternation and improvement are:

1. LED Lighting: most customer use the machine in a dark area such as car bonnet and cabinet, which they need to use additional lighting for marking and checking, therefore this improvement has save effort of operator and to reduce the need for so many extra equipments just to run the marking machine.

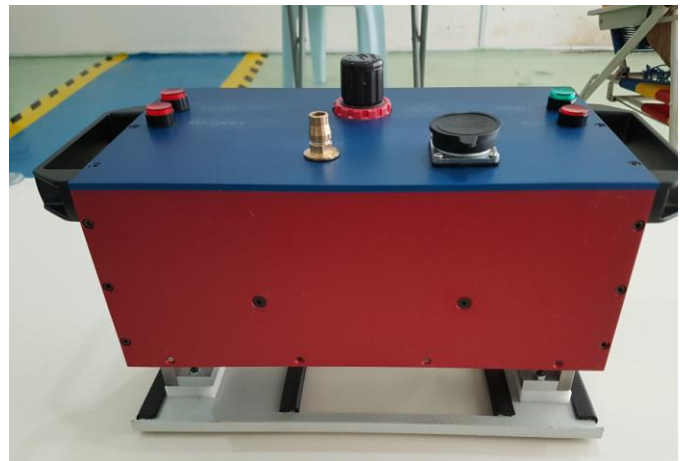


*LED Lighting on XG6-E3 and XG6-E2 (Project Files)

2. Stainless Steel Push Button and Switches: because the machine is design for heavy and tough operation, the use of standard push buttons on the machine seem less durable compare to metal buttons.

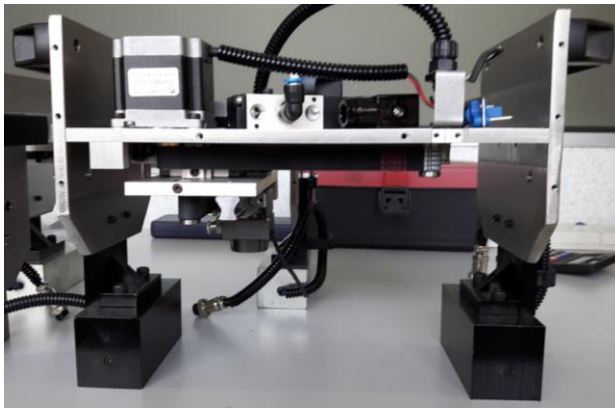


*The use of Metal Push Buttons



*Old Standard Plastic Push Buttons

3. Aluminum Alloy Structure Mainframe: the use of aluminum alloy to replace some of the mild steel parts to reduce the weight of the marking machine
4. Stainless Steel Side Plate: the use the Stainless steel side plate for stronger support and good looking appearance.



*the use of aluminum alloy structure



*the use of Stainless steel side plates

5. Functional label with laser marking: all label and description are marked with Laser for permanent availability and easy reading. The code of customer also will be marked on the machine upon customer request; such as property of xxx company or machine design for xxx company

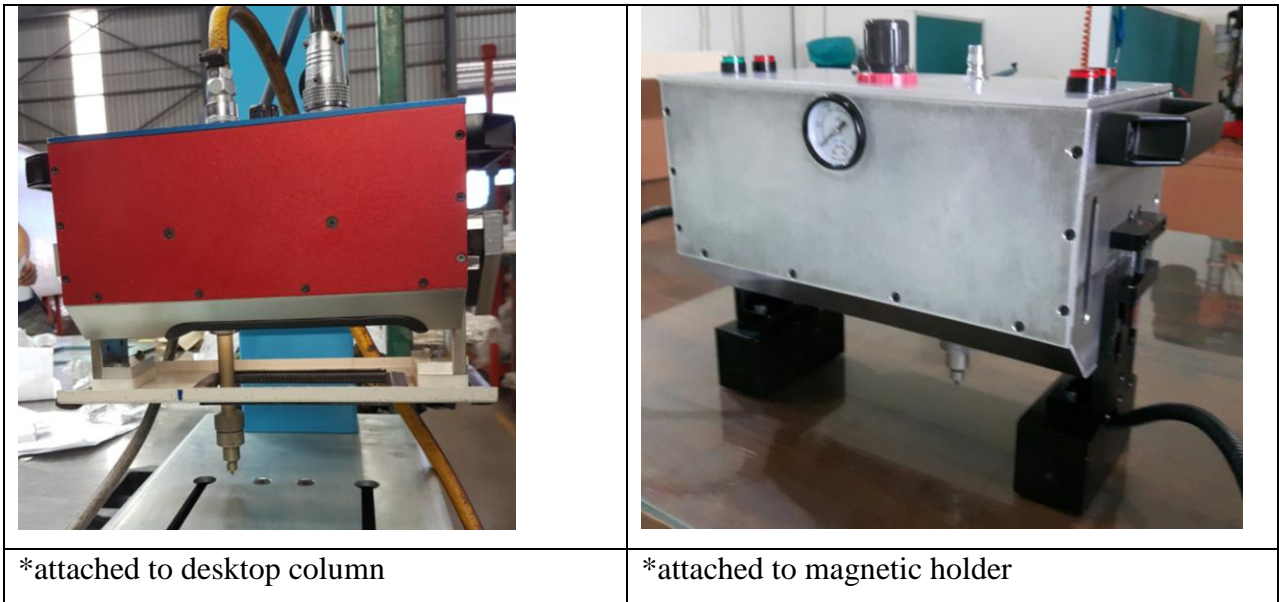


*Label with Laser Marking

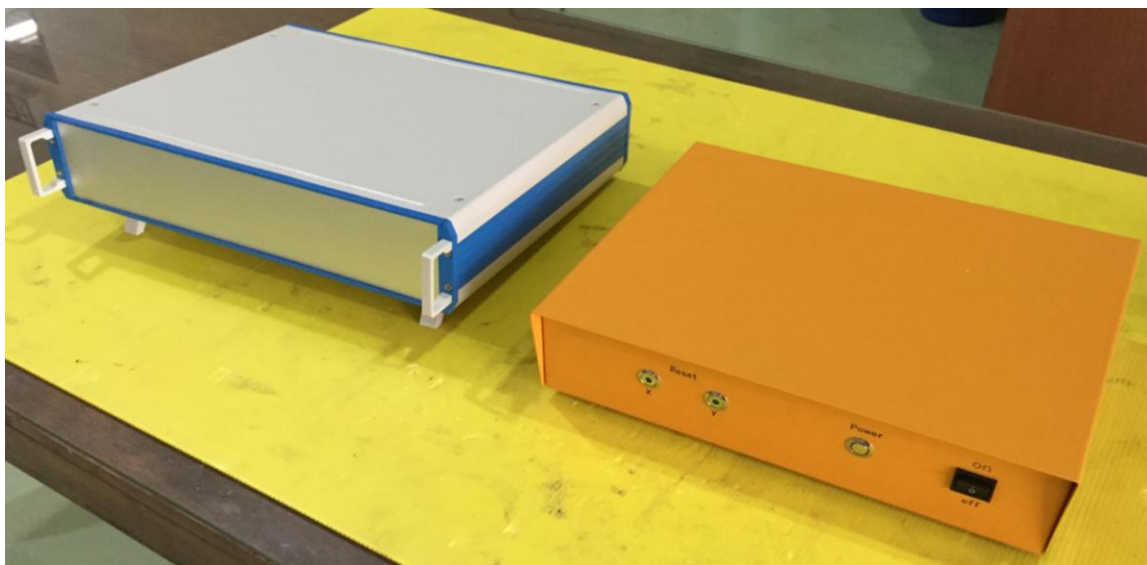


*Label with Sticker

6. More tendencies of integration and modification: new design is easier to modify according to customer requirement and easy integrated to the existing production systems, and accessories such as desktop stand and magnetic holder can be install easily.



7. Improve controller cooling capability and more capacity for further modification: new controller is looking more attractive and more organized internal compartment, more space available for further expansion and modification. Overall dimension are the same for new and old controller.



*comparison of outlook for new controller (left) and old controller (right), new controller on the left have not yet making any cut out for buttons.

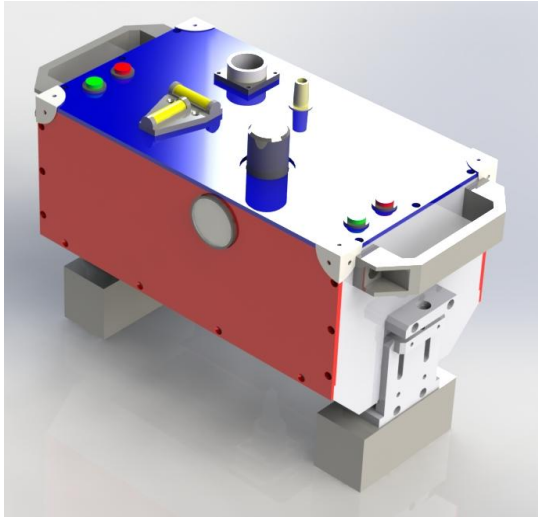
8. New 64 bits software: the new software now is support 64bits version of windows; including windows 8 and windows 10; most of the function remain unchanged and stability has been improve tremendously. No extra training needed for existing operator which has already been very familiar with the operating environment.
9. Other improvement such as spring holder on both sides of the main cable; good quality of power cord and USB Cable upgraded.
10. Consumable remain unchanged: our good quality marking stylus and tip still can apply to all old models and the very new model like XG6-E3. 100% compatible, nothing to worry on the tools mismatch and stock keeping issues.

With all the special features upgraded and improved, this model of marking machine is one the best product in market compare to the price, marking depth and cost of maintenance; is a 5 stars rating machine from the existing customer comment.

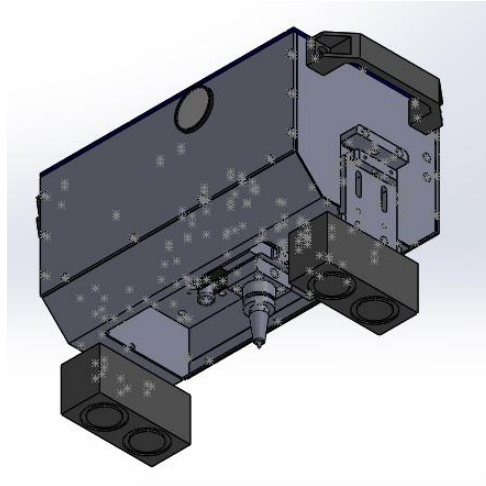
General specification of the XG6 portable marking machine

Model	XG6 Series
Version	E3 – 3 rd designed/ improvement of 2017
Marking area	140mm * 45mm
Machine weight	8kg
Controller weight	4kg
Air pressure	Max 6 bar @ 3hp
Electricity	230 VAC, single phase 50/60 Hz
Operating systems	Windows XP, windows 7, windows 8 and windows 10 compatible
PC model	All model with above mentioned OS and USB port
Warranty	12 months on manufacturing defects

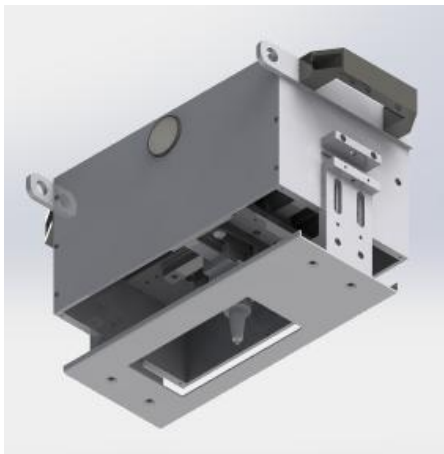
Design/ Sketches for XG6-E3 machine



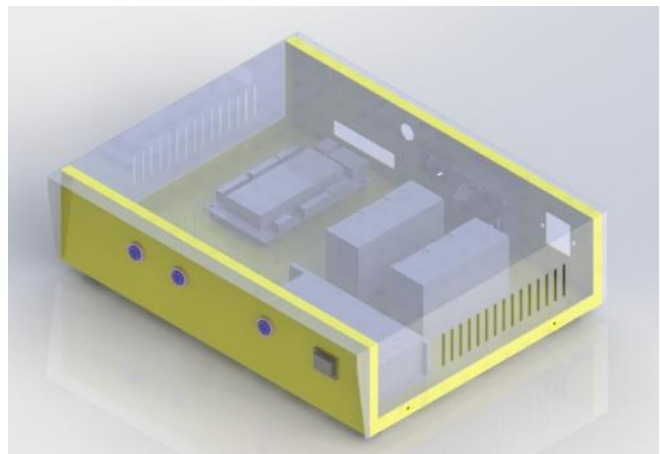
*XG6-E3 machine with level gauge and magnetic holder



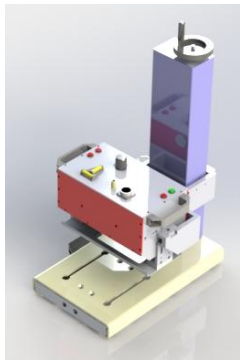
*XG6-E2 machine with magnetic holder



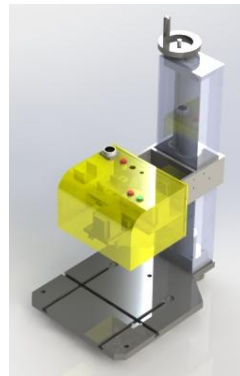
*XG6-E1 machine with flat base and mounting bracket for gas tank marking



*internal view of old USB controller



*XG6-E3 machine with desktop column



*XG3-A2 desktop marking machine internal view

With all the feature and design we propose to you; our machine could be good equipment on doing your permanent marking job without problem. Compare to our 1st model launch 10 years ago, the new model still maintain the good and rigid internal structure of the tradition but increase more function and reliability year by year without increasing much on the machine price, this is one of the direct way we thanks to our customer supports.

For existing customer, I would like to express my gratitude and say thank you because of the kind support to our products; from the 1st machine, 2nd machine and so on, some customer own more than 5 machines in 1 plant and some even have at least 1 machine at different location. Our customer return give a very positive encouragement to us to make the machine even more reliable and adding more customized feature to suit on different scenarios.

For customer switching from other good brands products, we would also like to says very much thank you because given us a chance to present until accepting our products. Finally, they are surely delight by our machine, which can perform the same good marking job but with almost half the price and maintenance cost.

We have partnership with manufacturer in Wuxi China which making the machine in batch and lower in cost; for all new model and custom made products, we are all doing it in Malaysia. We have a panel sub contractor who can made machine parts and sheet metal parts, we use local accessible products such as pneumatic parts and electrical parts; therefore you can see most of our parts are easy to find in local market. Our company is concentrated on the design, assembly and QC of final products developments.

We hope now you have more understanding on our products and company operation and we are looking forward to hear from you soon for further cooperation and presentation opportunity.

Thanks.
Best regards.